

Head Balancing



1. To balance the head with the camera mounted, slide the balance adjustment lever to the rear of the plate, the plate will now slide freely back and forth. When you have achieved a good balance slide the locking lever forward, this will lock the plate in this position.



2. If extra counter-balance weight is needed it can be added by installing a counter-weight on the rear of the Pro Plate. (A)

Counter-balance Weight



2kg/4.4lbs

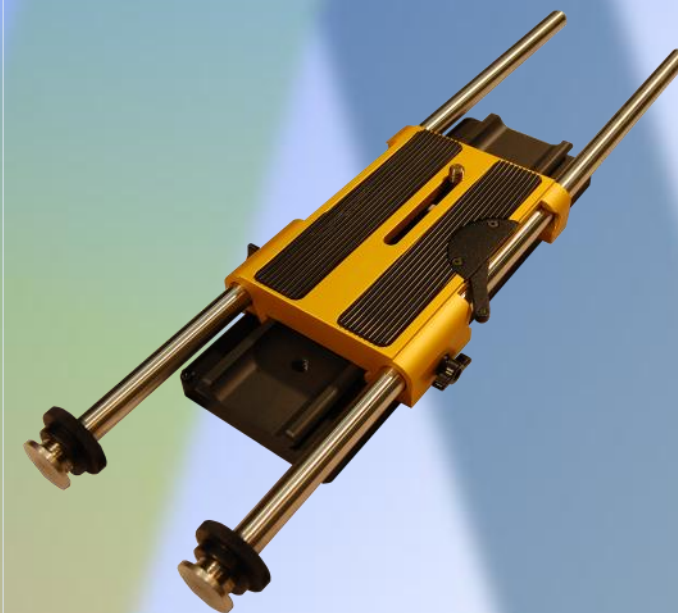
1. Install the counter-balance weight by sliding it over the two tubes at the rear of the Pro Plate. Slide the weight back and forth to achieve a balance.



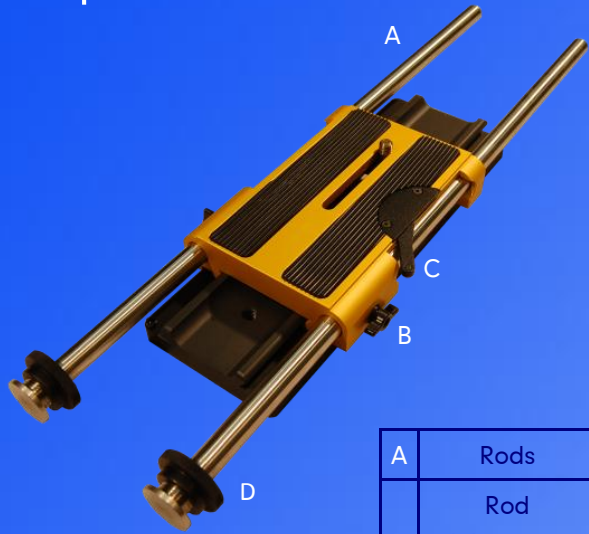
2. To lock the weight in position tighten the two clamp screws on either side. Additional weights can be added if required.



Pro Plate Guide



Components



A	Rods
B	Rod Adjustment Clamp
C	Balance Adjustment Lever
D	Keyhole Locking Disc
E	3/8" BSW Fixing Hole
F	1/4" BSW Fixing Hole
G	Camera Screw



On-Camera Unit Assembly



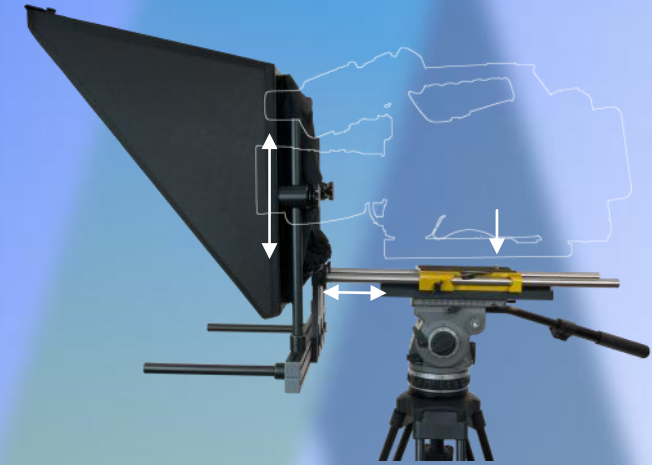
1. Remove the hot shoe from your tripod head and fix it to the underside of the Pro Plate ideally using both 1/4" and 3/8" BSW fixing screws.

2. Replace the Pro Plate on the tripod head ensuring that the keyhole locking discs are facing forward.



3. Mount the hood and bracket set onto the rods using the keyhole mounting holes.

4. Ensure that the bracket set is secured in position by tightening the keyhole locking disc.



5. Mount the camera using the camera screw, access the screw from the under side of the plate (G). Please ensure that the lens is in the centre of the aperture on the back of the hood. To adjust the height of the hood loosen the tube clamps, adjust to the desired height and retighten to secure. The hood and bracket assembly can be moved forwards or backwards by loosening the rod adjustment clamp, once in the desired position retighten to secure.



6. If needed the height of the entire bracket assembly can be adjusted by using the notched slots in the key hole plate. Three positions are available. To move the plate loosen the three knobs and move the plate to the desired height then retighten the knobs.